


PRODUCT SHEET

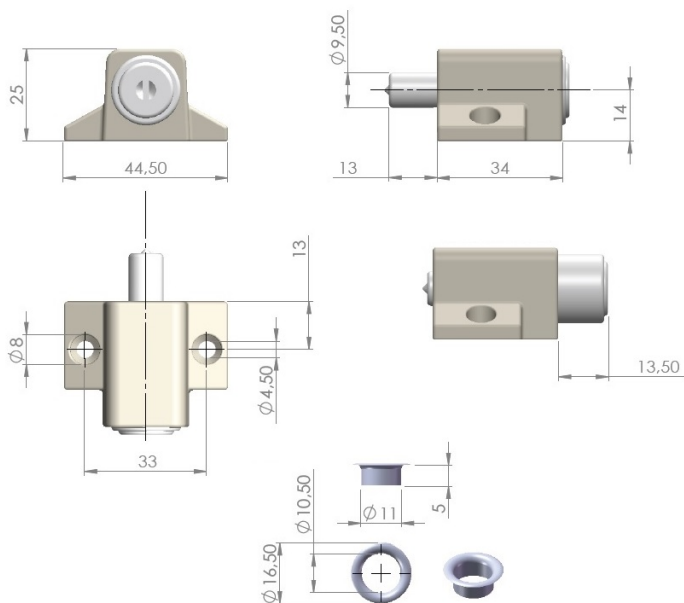
Description:

Window Push Lock 280, $\varnothing 19$, Mat NPL, KA E30; CK SISO,W/Sleeve

Item number:

14.02.997-0

| Units | Box | Carton | HS Code | Barcode |
|-------|-----|--------|------------|---|
| Pcs. | 12 | 120 | 8301300000 |  5704866104111 |



SISO A/S
Mileparken 11
DK-2740 Skovlunde
Denmark
VAT: DK 24786013

Phone +45 45 830 900
www.siso.dk
siso@siso.dk

Danske Bank
Nytorv Branch
Copenhagen
SWIFT: DABADKKK

Account no.
4180 3112 112936
IBAN Account
DK7230003112112936